



Incandescent - Xenon

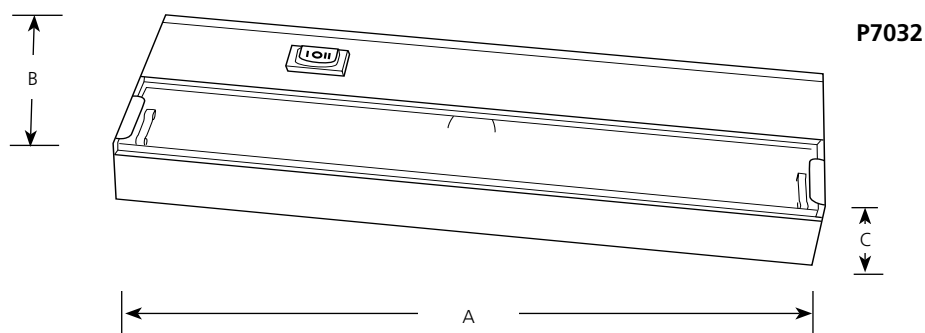
Hide-a-Lite 3

Undercabinet

Type _____

	-20WB	-30WB
P7032	<input type="checkbox"/>	<input type="checkbox"/>
P7033	<input type="checkbox"/>	<input type="checkbox"/>
P7034	<input type="checkbox"/>	<input type="checkbox"/>
P7035	<input type="checkbox"/>	<input type="checkbox"/>

Catalog No.	Finish		Lamping	Dimensions (Inches)		
	Antique Bronze	White		A	B	C
P7032	-20WB	-30WB	1-20w Xenon G8 bi-pin 120V (incl)	9-1/2	3-1/2	1-1/4
P7033	-20WB	-30WB	2-20w Xenon G8 bi-pin 120V (incl)	12	3-1/2	1-1/4
P7034	-20WB	-30WB	3-20w Xenon G8 bi-pin 120V (incl)	18	3-1/2	1-1/4
P7035	-20WB	-30WB	4-20w Xenon G8 bi-pin 120V (incl)	24	3-1/2	1-1/4



Specifications:

General

- Complete undercabinet lighting units
- Frosted tempered glass lens
- Includes 20w Xenon 120 volt lamps
- Direct Wire and Linkable
- Antique bronze (-20) or white (-30) finishes

Mounting

- Surface mounted under cabinets
- Slotted holes allow easy mounting through housing
- Tool-less electrical compartment entry for ease of mounting

Electrical

- 7/8" knock outs at rear and ends of unit for direct wire connections of non-metallic cable, flexible conduit, or rigid conduit
- Integral High/Low/Off rocker switch is standard
- Fixture is wired directly to 120v supply
- Wedge based sockets for Xenon lamps

Labeling



Progress Lighting
 701 Millennium Blvd.
 Greenville, South Carolina
 29607

www.progresslighting.com

Rev. 3/09